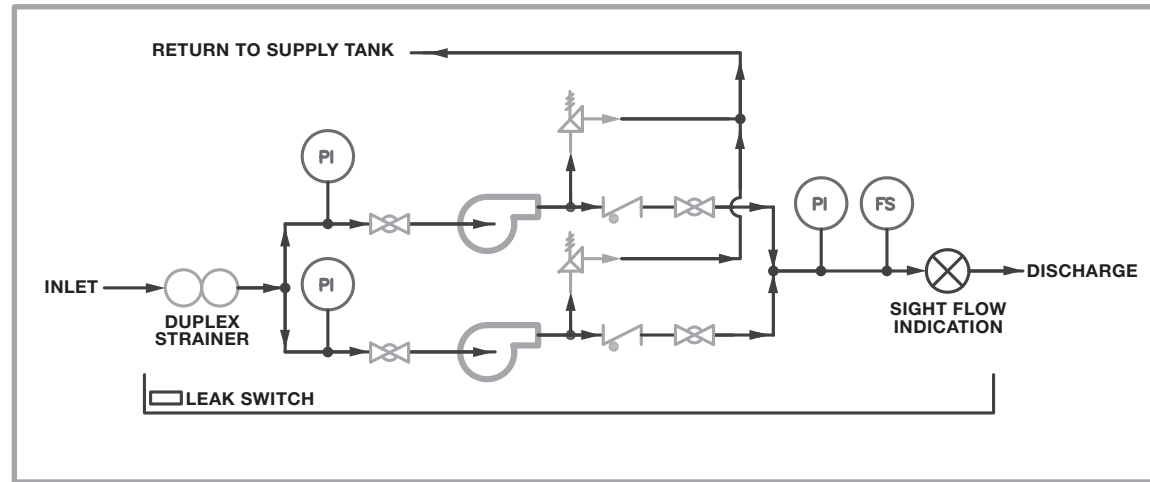
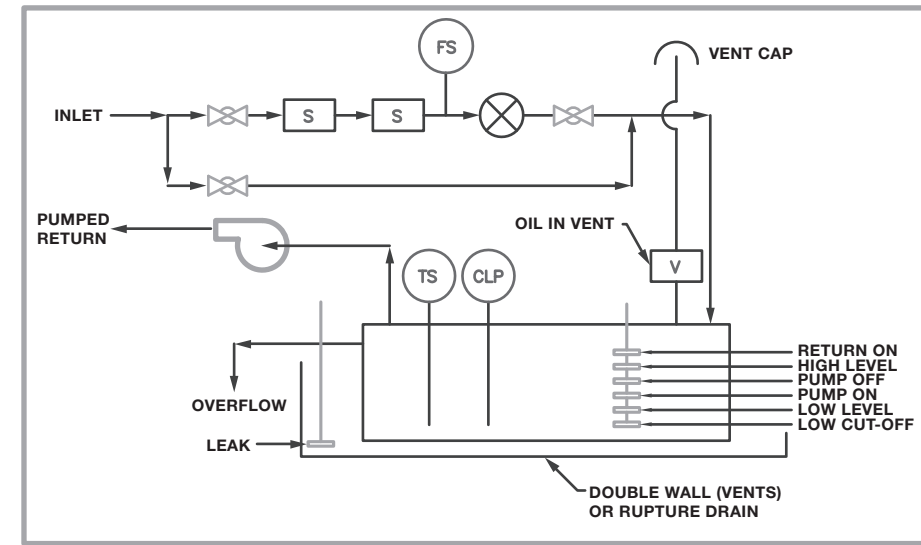


PUMP SET DETAIL



DAY TANK DETAIL



LEGEND

PI	PRESSURE INDICATOR
PS	PRESSURE SENSOR
PF	PARTICULATE FILTER
FF	FINAL FILTER
WS	WATER SEPARATOR
FS	FLOW SENSOR
VS	VACUUM BREAKER
○	SIMPLEX STRAINER
⊗	BALL VALVE
⌞	CHECK VALVE (SWING TYPE)
⌞	Y-STAINER
⊗	DUPLEX STRAINER
⊗	SIGHT FLOW INDICATOR
⌞	PRESSURE RELIEF VALVE
⊞	PUMP
○	BACK PRESSURE VALVE
•	POINT OF CONNECTION

FILTRATION DETAIL

