

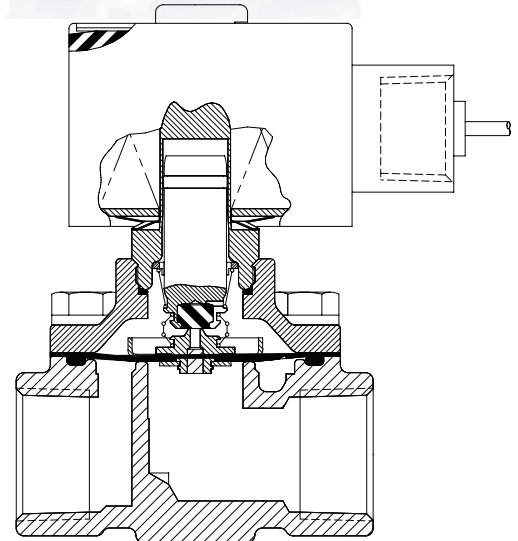


## Solenoid Valves

- 2-way normally closed operation
- For control of commercial and industrial gas burners
- Ideal for high pressure applications
- Brass body construction
- Mountable in any position

### Construction

Valve Parts in Contact with Fluids	
Body	Brass
Seals and Disc	NBR
Core Tube	305 Stainless Steel
Core and Plugnut	430F Stainless Steel
Springs	302 Stainless Steel
Shading Coil	Copper



Subject to Change without notice

V.6 13014.DS

*Our Fuel Oil Pump Set products are only a part of our complete family of equipment that makes up a typical fuel oil system. Please contact us for your complete system needs.*

