



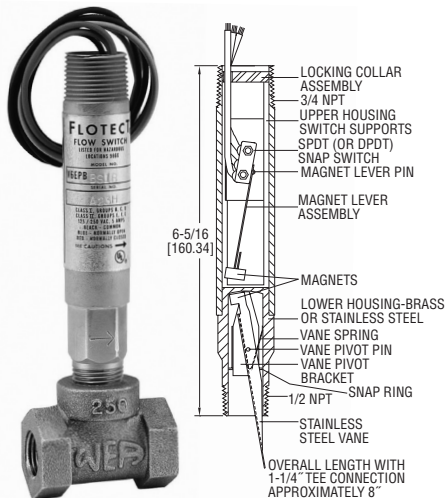
Flow Switches

Flow switches are used in fuel oil systems to provide proof of flow from the pumps. They are the main indicator when it is time to start a backup pump on a duplex pump set. The flow switch electrical contacts are completely sealed from the fluid flow, and is actuated by a pair of magnets.

- Weatherproof / Explosion Proof
- Electrical assembly can be removed without affecting the flow operation
- 1000 psi pressure rating
- Optional “low flow” unit available
- 301 Stainless Steel Vain (flapper)
- Brass Body
- -4 to 220 degree F temperature range
- SPDT switch, 5A at 125/250VAC
- 1/2" NPT connecting to “Tee” installed in flow line, Tee is sized for the application

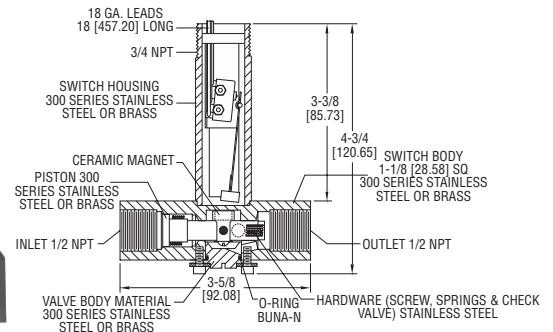
V6 with 1/2" Tee

Series V6 FLOTECT®
Mini-Size Flow Switch
Monitor flow in 1/2" to 2"
pipe, Explosion-proof



V6 Low Flow

Series V6 FLOTECT® Mini-Size Flow Switch
Monitor flow in 1/2" to 2" pipe, Explosion-proof



Subject to Change without notice

V.1 13014.DS

Our Fuel Oil Pump Set products are only a part of our complete family of equipment that makes up a typical fuel oil system. Please contact us for your complete system needs.

